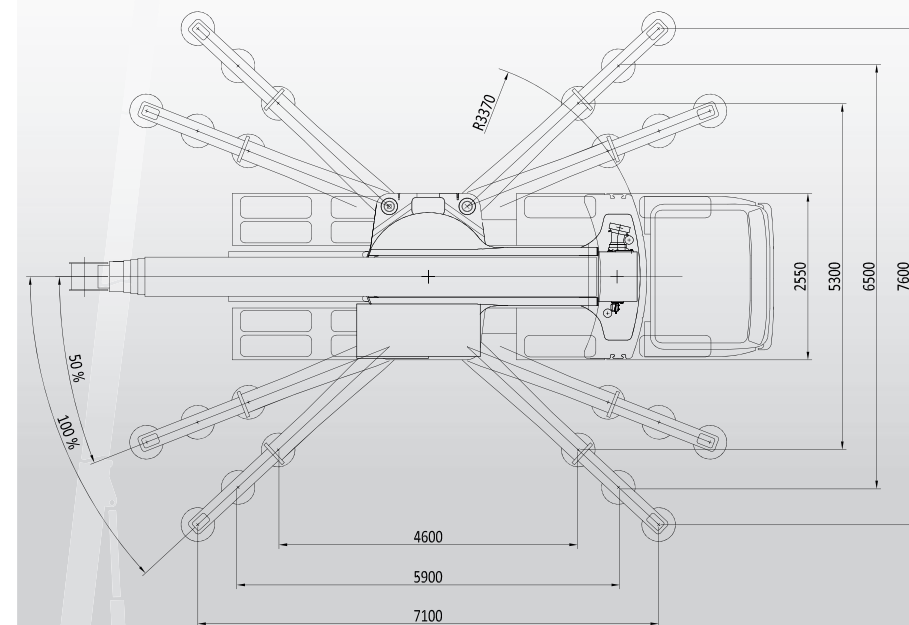
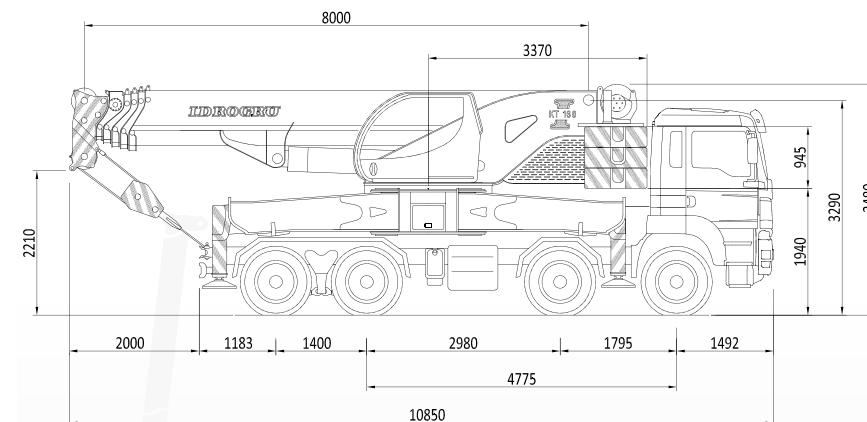
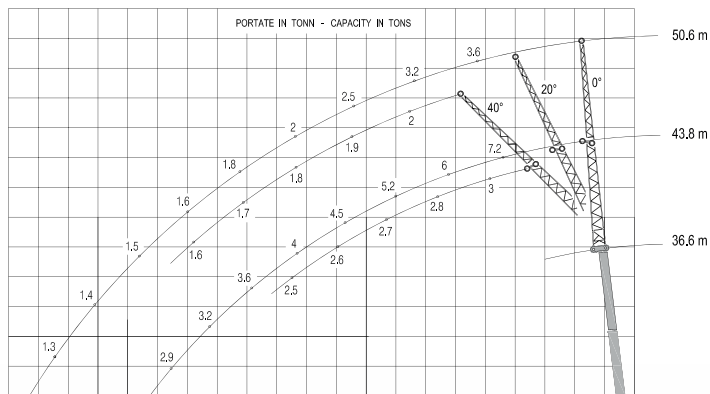
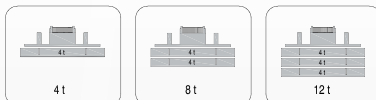


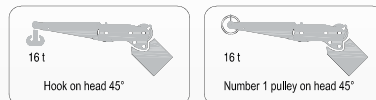
OPTIONAL EQUIPMENT: Reclinable trellis jib 7.2 / 14 m



Divisible counterweight with automatic unloading



1,5 meters hook or pulley for reclinable boom head



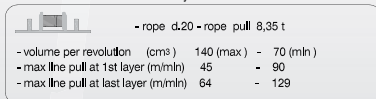
Three position reclinable boom head



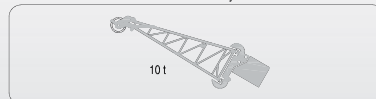
Hook blocks of various capacities



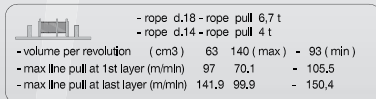
Primary winch



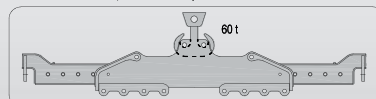
3 meters trellis jib



Double winch



3,7 meters lift spreader beams



0,5 meters hook for reclinable boom head



The lifting capacities in the structural area are based on DIN 15018 part 3 / FEM 5,004 / EN 13000.
The lifting capacities in the stability area are based on DIN 15019 part 2 / ISO 4305 / EN 13000

